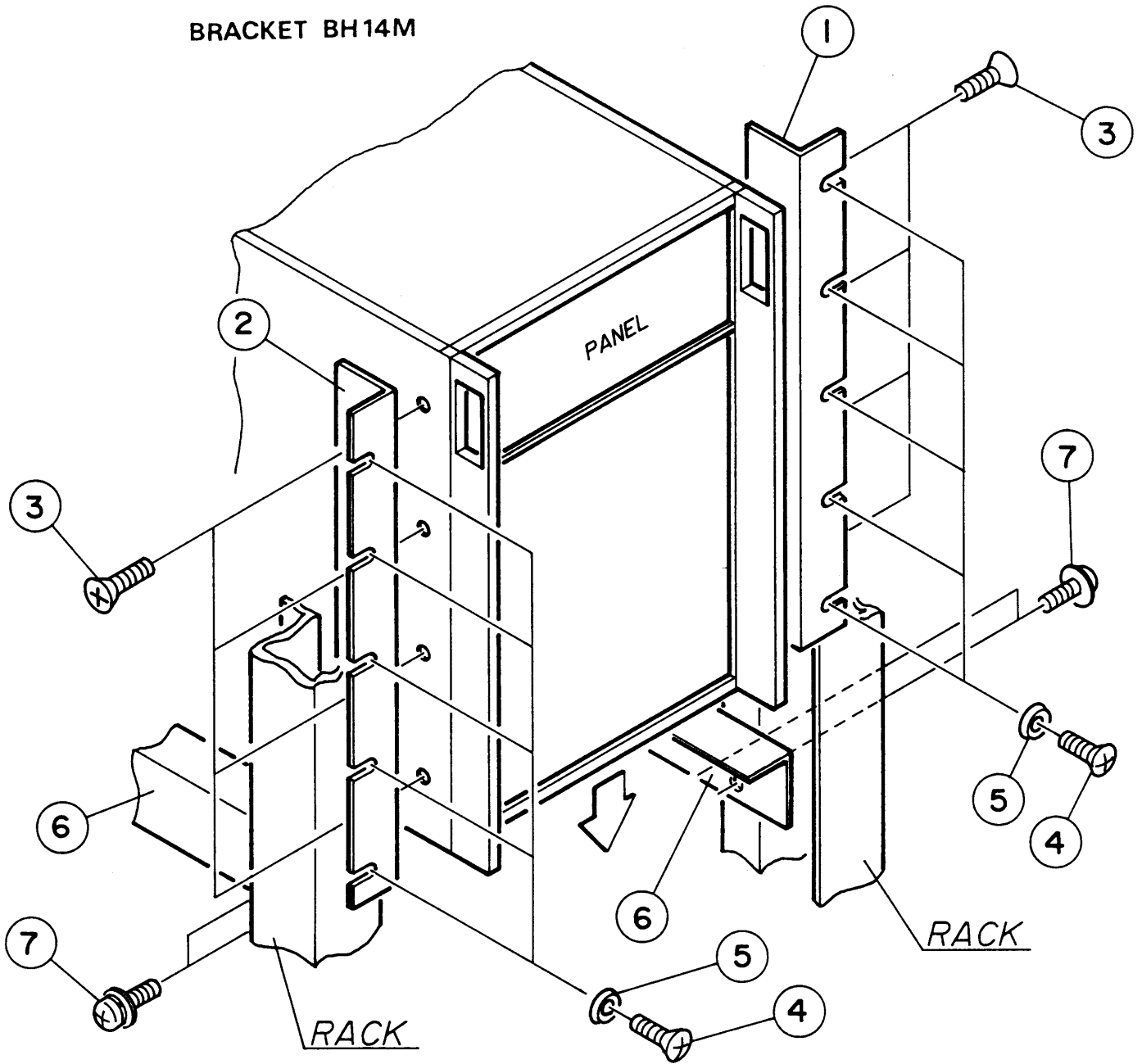


BRACKET BH14M



NO.	DESCRIPTION	QTY	CODE NO.
1	BRACKET BH14M RIGHT	1	D3-989-802
2	BRACKET BH14M LEFT	1	D3-989-801
3	SCREW,FLAT HEAD M6x1x25 S-ZN	8	M2-001-213
4	SCREW,OVAL HEAD M5x0.8x14 B-NI	10	M2-002-091
5	FINISHING WASHER 5CW	10	M5-003-031
6	RAIL FOR EXTRA WEIGHT	2	D3-922-903
7	SCREW,WITH SW,PW M5x0.8x10 S-ZN	8	M3-012-131